



# ELEMENTI MODULARI

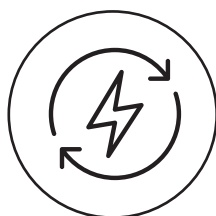
## Moduli elastici con funzione di molla torsionale, adattabili alle più svariate funzioni

- Sospensione pendolare per motovibratori
- Supporto per motoriduttori
- Elemento per il mantenimento della pressione sulla superficie (raschianastro)
- Sospensione elastica customizzata, su richiesta
- Elementi per l'assorbimento di energia negli impatti

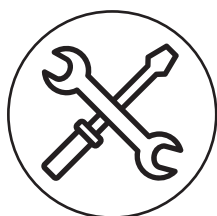
### Vantaggi della nostra soluzione:



lunga durata




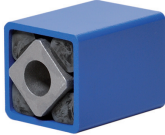
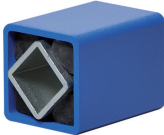

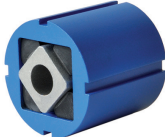
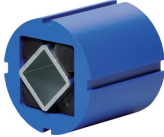


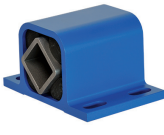
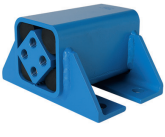



risparmio energetico



facile da installare

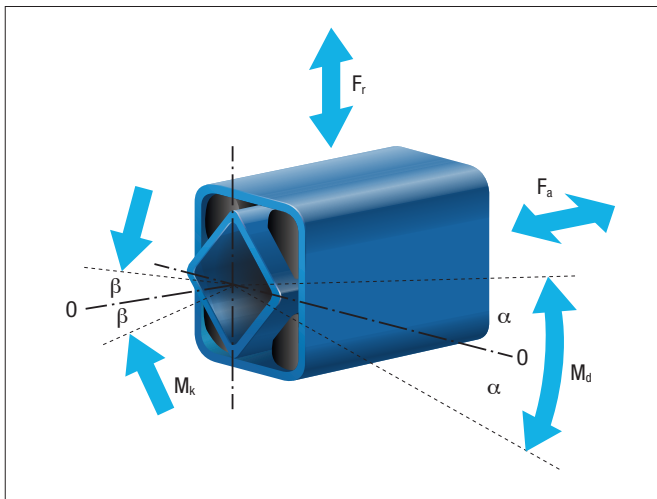
# Tabella per la selezione degli Elementi modulari (Rubmix 10)

2

		Quadro interno				
		<b>A</b> Profilato in lega d'alluminio (dalla taglia 60 in acciaio)	<b>C</b> Profilato in alluminio	<b>S</b> Tubo d'acciaio passante, per collegamento forzato.		
		Illustrazione			Pagina	
Tipo di alloggiamento	<b>DR</b> Tubo d'acciaio	<b>DR-A</b> 	<b>DR-C</b> 	<b>DR-S</b> 	2.4– 2.6	
	<b>DK</b> Profilato in lega d'alluminio	<b>DK-A</b> 	<b>DK-C</b> 	<b>DK-S</b> 	2.8– 2.9	
	<b>DW</b> Profilato in lega d'alluminio (dalla taglia 60 in acciaio saldato)	<b>DW-A da 15 a 50</b> 	<b>DW-C 15 a 50</b> 	<b>DW-S da 15 a 50</b> 		2.11– 2.14
		<b>DW-A da 60 a 100</b> 				
	<b>DO</b> Profilato in lega d'alluminio	<b>DO-A</b> 	<b>DO-C</b> 	<b>DO-S</b> 		2.15

- DK-C, DO-C e DO-S solo su richiesta.
- Nota sugli accessori (BR, BK, WS) alle pagine 2.7, 2.10, 2.16.
- Profilo in lega di alluminio (per i tipi A e C): profili estrusi, resistenti all'acqua di mare (DIN 1725).
- Vernice blu: spessore 40–80 µm.
- Quadro interno in acciaio (per tipo S): zincatura per elettrolisi.
- Fissaggio: utilizzare viteria di qualità 8.8
- Non sono ammesse saldature, in quanto si potrebbero rovinare o distruggere gli inserti in gomma. Variazioni di forma/attacchi sono da richiedersi preventivamente.
- Su richiesta sono disponibili anche versioni in acciaio inox, zincate o con verniciature speciali.

# Carichi, schiacciamenti e scostamenti angolari



I valori indicati nella tabella sottostante si riferiscono a misurazioni statiche, di elementi equipaggiati di gomma standard "Rubmix 10". Valori intermedi possono essere ricavati per interpolazione.

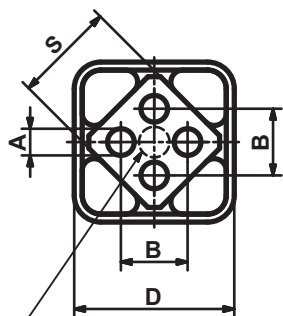
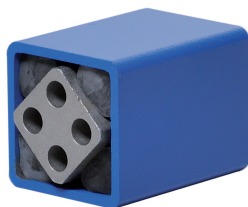
Per applicazioni con forze dinamiche combinate ed elevati angoli di oscillazione, consultare il capitolo 7 "Tecnologia" o contattare il nostro ufficio tecnico.

Elemento			Coppia							Cardanico	Radiale		Assiale	
Dimensione nominale	x	Lunghezza	$M_d$ [Nm] angolo $\pm\alpha^\circ$							$M_k$ [Nm] angolo $\pm\beta^\circ$	Schiacciamento $\pm s_r$ [mm]	Carico $F_r$ [N]	Schiacciamento $\pm s_a$ [mm]	Carico $F_a$ [N]
			5°	10°	15°	20°	25°	30°	1°					
11	x	20	0,4	1,0	1,6	2,4	3,5	4,8	0,4	0,25	200	0,25	60	
11	x	30	0,5	1,4	2,4	3,7	5,2	7,2	1,1	0,25	340	0,25	80	
11	x	50	0,8	2,4	4,1	6,1	8,6	12,0	5,6	0,25	600	0,25	150	
15	x	25	0,7	1,6	2,6	4,0	5,7	8,2	0,6	0,25	200	0,25	70	
15	x	40	1,1	2,5	4,2	6,4	9,2	13,2	2,0	0,25	300	0,25	100	
15	x	60	1,6	3,8	6,3	9,6	13,8	19,8	5,5	0,25	500	0,25	160	
18	x	30	1,9	4,5	7,5	11,0	15,0	20,6	1,6	0,25	400	0,25	80	
18	x	50	3,2	7,5	12,5	18,3	25,0	34,4	7,0	0,25	700	0,25	160	
18	x	80	5,1	12,0	20,0	29,3	40,0	55,0	28,0	0,25	1.000	0,25	300	
27	x	40	4,7	10,7	17,5	26,9	39,5	57,0	3,8	0,5	800	0,5	200	
27	x	60	7,0	16,0	26,3	40,3	59,3	85,5	11,5	0,5	1.300	0,5	300	
27	x	100	11,7	26,7	43,8	67,2	98,8	142,5	48,0	0,5	2.400	0,5	600	
38	x	60	13,0	30,4	50,6	78,0	113,0	162,0	11,4	0,5	1.500	0,5	300	
38	x	80	17,3	40,5	67,5	104,0	151,0	216,0	24,7	0,5	2.000	0,5	500	
38	x	120	26,0	60,8	101,2	156,0	226,0	324,0	76,0	0,5	3.000	0,5	600	
45	x	80	27,6	62,4	104,0	160,0	222,0	320,0	28,0	0,5	1.900	0,5	560	
45	x	100	34,5	78,0	130,0	200,0	278,0	400,0	54,0	0,5	3.000	0,5	700	
45	x	150	51,8	117,0	195,0	300,0	420,0	600,0	140,0	0,5	4.800	0,5	1.000	
50	x	120	51	133	250	395	570	780	80	0,5	2.800	0,5	800	
50	x	160	77	197	363	570	820	1.115	145	0,5	4.500	0,5	950	
50	x	200	102	260	475	745	1.070	1.450	250	0,5	6.300	0,5	1.100	
50	x	300	150	385	700	1.100	1.590	2.160	1.200	0,5	8.600	0,5	2.200	
60	x	150	75	170	300	460	700	1.010	90	1,0	5.400	1,0	1.600	
60	x	200	95	220	385	610	930	1.380	250	1,0	7.200	1,0	2.200	
60	x	300	140	365	630	995	1.550	2.240	900	1,0	9.400	1,0	3.200	
70	x	200	140	380	650	1.040	1.490	2.120	280	1,0	9.000	1,0	2.200	
70	x	300	190	525	910	1.470	2.160	3.150	1.200	1,0	12.000	1,0	3.600	
70	x	400	250	765	1.315	2.160	3.175	4.750	2.200	1,0	14.000	1,0	4.000	
80	x	200	200	500	850	1.300	1.900	2.700	680	1,0	10.000	1,0	2.500	
80	x	300	300	800	1.300	2.000	2.900	4.100	1.500	1,0	15.000	1,0	3.800	
80	x	400	400	1.060	1.800	2.800	3.900	5.600	4.600	1,0	19.000	1,0	4.700	
100	x	250	400	1.080	1.800	2.800	4.100	6.300	1.200	1,0	15.000	1,0	3.200	
100	x	400	640	1.700	2.900	4.500	6.600	10.000	4.300	1,0	28.000	1,0	5.800	
100	x	500	800	2.160	3.600	5.600	8.200	12.000	8.000	1,0	38.000	1,0	7.500	

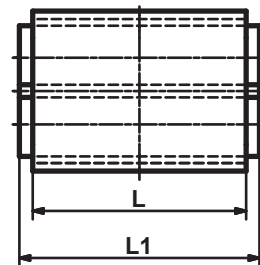


# Elementi modulari

## DR-A



DR-A 50:  $\varnothing 20^{+0.5}_0$



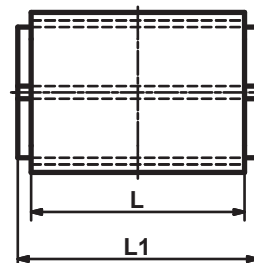
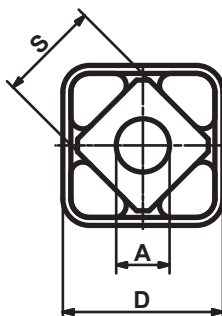
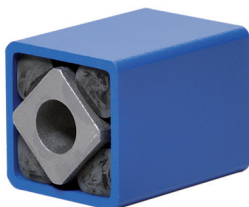
Art. Nr.	Tipo	$\varnothing A$	B	$\square D$	$\square S$	L	L1	Peso [kg]
01 011 001	DR-A 15 x 25	$5^{+0.5}_0$	$10 \pm 0.2$	$27^{+0.4}_0$	15	25	$30^{+0.3}_0$	0.06
01 011 002	DR-A 15 x 40	$5^{+0.5}_0$	$10 \pm 0.2$	$27^{+0.4}_0$	15	40	$45^{+0.3}_0$	0.10
01 011 003	DR-A 15 x 60	$5^{+0.5}_0$	$10 \pm 0.2$	$27^{+0.4}_0$	15	60	$65^{+0.3}_0$	0.15
01 011 004	DR-A 18 x 30	$6^{+0.5}_0$	$12 \pm 0.3$	$32^{+0.3}_{-0.1}$	18	30	$35^{+0.3}_0$	0.10
01 011 005	DR-A 18 x 50	$6^{+0.5}_0$	$12 \pm 0.3$	$32^{+0.3}_{-0.1}$	18	50	$55^{+0.3}_0$	0.16
01 011 006	DR-A 18 x 80	$6^{+0.5}_0$	$12 \pm 0.3$	$32^{+0.3}_{-0.1}$	18	80	$85^{+0.3}_0$	0.26
01 011 007	DR-A 27 x 40	$8^{+0.5}_0$	$20 \pm 0.4$	$45^{+0.4}_0$	27	40	$45^{+0.3}_0$	0.24
01 011 008	DR-A 27 x 60	$8^{+0.5}_0$	$20 \pm 0.4$	$45^{+0.4}_0$	27	60	$65^{+0.3}_0$	0.36
01 011 009	DR-A 27 x 100	$8^{+0.5}_0$	$20 \pm 0.4$	$45^{+0.4}_0$	27	100	$105^{+0.3}_0$	0.60
01 011 010	DR-A 38 x 60	$10^{+0.5}_0$	$25 \pm 0.4$	$60^{+0.3}_{-0.2}$	38	60	$70^{+0.3}_0$	0.57
01 011 011	DR-A 38 x 80	$10^{+0.5}_0$	$25 \pm 0.4$	$60^{+0.3}_{-0.2}$	38	80	$90^{+0.3}_0$	0.75
01 011 012	DR-A 38 x 120	$10^{+0.5}_0$	$25 \pm 0.4$	$60^{+0.3}_{-0.2}$	38	120	$130^{+0.3}_0$	1.11
01 011 023	DR-A 45 x 80	$12^{+0.5}_0$	$35 \pm 0.5$	$75^{+0.3}_{-0.2}$	45	80	$90^{+0.3}_0$	1.26
01 011 024	DR-A 45 x 100	$12^{+0.5}_0$	$35 \pm 0.5$	$75^{+0.3}_{-0.2}$	45	100	$110^{+0.3}_0$	1.56
01 011 025	DR-A 45 x 150	$12^{+0.5}_0$	$35 \pm 0.5$	$75^{+0.3}_{-0.2}$	45	150	$160^{+0.3}_0$	2.32
01 011 026	DR-A 50 x 120	M12 x 40	$40 \pm 0.5$	$80^{+0.3}_{-0.2}$	50	120	$130^{+0.3}_0$	2.06
01 011 027	DR-A 50 x 200	M12 x 40	$40 \pm 0.5$	$80^{+0.3}_{-0.2}$	50	200	$210^{+0.3}_0$	3.42
01 011 028	DR-A 50 x 300	M12 x 40	$40 \pm 0.5$	$80^{+0.3}_{-0.2}$	50	300	$310^{+0.3}_0$	5.11

Tabella dei carichi, schiacciamenti e scostamenti a pag. 2.3

Se non vengono specificate altre unità di misura, i numeri indicati sono in mm.

# Elementi modulari

## DR-C



2

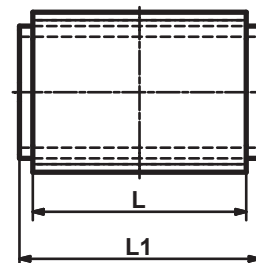
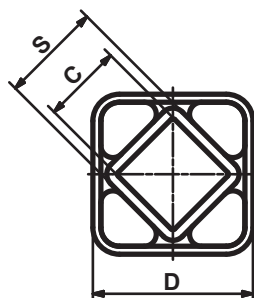
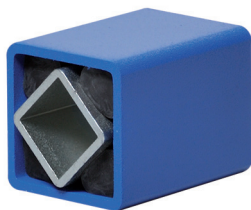
Art. Nr.	Tipo	$\varnothing A$	B	$\square D$	$\square S$	L	L1	Peso [kg]
01 031 010	DR-C 15 x 25	10 <sup>+0.4</sup> <sub>-0.2</sub>	10 ±0.2	27 <sup>+0.4</sup> <sub>0</sub>	15	25	30 <sup>0</sup> <sub>-0.3</sub>	0.06
01 031 011	DR-C 15 x 40	10 <sup>+0.4</sup> <sub>-0.2</sub>	10 ±0.2	27 <sup>+0.4</sup> <sub>0</sub>	15	40	45 <sup>0</sup> <sub>-0.3</sub>	0.1
01 031 012	DR-C 15 x 60	10 <sup>+0.4</sup> <sub>-0.2</sub>	10 ±0.2	27 <sup>+0.4</sup> <sub>0</sub>	15	60	65 <sup>0</sup> <sub>-0.3</sub>	0.15
01 031 001	DR-C 18 x 30	13 <sup>0</sup> <sub>-0.2</sub>	12 ±0.3	32 <sup>+0.3</sup> <sub>-0.1</sub>	18	30	35 <sup>0</sup> <sub>-0.3</sub>	0.11
01 031 002	DR-C 18 x 50	13 <sup>0</sup> <sub>-0.2</sub>	12 ±0.3	32 <sup>+0.3</sup> <sub>-0.1</sub>	18	50	55 <sup>0</sup> <sub>-0.3</sub>	0.16
01 031 003	DR-C 18 x 80	13 <sup>0</sup> <sub>-0.2</sub>	12 ±0.3	32 <sup>+0.3</sup> <sub>-0.1</sub>	18	80	85 <sup>0</sup> <sub>-0.3</sub>	0.26
01 031 004	DR-C 27 x 40	16 <sup>+0.5</sup> <sub>-0.3</sub>	20 ±0.4	45 <sup>+0.4</sup> <sub>0</sub>	27	40	45 <sup>0</sup> <sub>-0.3</sub>	0.24
01 031 005	DR-C 27 x 60	16 <sup>+0.5</sup> <sub>-0.3</sub>	20 ±0.4	45 <sup>+0.4</sup> <sub>0</sub>	27	60	65 <sup>0</sup> <sub>-0.3</sub>	0.36
01 031 006	DR-C 27 x 100	16 <sup>+0.5</sup> <sub>-0.3</sub>	20 ±0.4	45 <sup>+0.4</sup> <sub>0</sub>	27	100	105 <sup>0</sup> <sub>-0.3</sub>	0.6
01 031 007	DR-C 38 x 60	20 <sup>+0.5</sup> <sub>-0.2</sub>	25 ±0.4	60 <sup>+0.3</sup> <sub>-0.2</sub>	38	60	70 <sup>0</sup> <sub>-0.3</sub>	0.57
01 031 008	DR-C 38 x 80	20 <sup>+0.5</sup> <sub>-0.2</sub>	25 ±0.4	60 <sup>+0.3</sup> <sub>-0.2</sub>	38	80	90 <sup>0</sup> <sub>-0.3</sub>	0.75
01 031 009	DR-C 38 x 120	20 <sup>+0.5</sup> <sub>-0.2</sub>	25 ±0.4	60 <sup>+0.3</sup> <sub>-0.2</sub>	38	120	130 <sup>0</sup> <sub>-0.3</sub>	1.12
01 031 023	DR-C 45 x 80	24 <sup>+0.5</sup> <sub>-0.2</sub>	35 ±0.5	75 <sup>+0.3</sup> <sub>-0.2</sub>	45	80	90 <sup>0</sup> <sub>-0.3</sub>	1.25
01 031 024	DR-C 45 x 100	24 <sup>+0.5</sup> <sub>-0.2</sub>	35 ±0.5	75 <sup>+0.3</sup> <sub>-0.2</sub>	45	100	110 <sup>0</sup> <sub>-0.3</sub>	1.53
01 031 025	DR-C 50 x 120	30 <sup>+0.5</sup> <sub>-0.2</sub>	40 ±0.5	80 <sup>+0.3</sup> <sub>-0.2</sub>	50	120	130 <sup>0</sup> <sub>-0.3</sub>	2.04
01 031 026	DR-C 50 x 200	30 <sup>+0.5</sup> <sub>-0.2</sub>	40 ±0.5	80 <sup>+0.3</sup> <sub>-0.2</sub>	50	200	210 <sup>0</sup> <sub>-0.3</sub>	3.45

Tabella dei carichi, schiacciamenti e scostamenti a pag. 2.3

Se non vengono specificate altre unità di misura, i numeri indicati sono in mm.

# Elementi modulari

## DR-S



Numero parte	Tipo	□C	□D	□S	L	L1	Peso [kg]
01 021 001	DR-S 11 × 20	8 <sup>+0.25</sup> <sub>0</sub>	20 <sup>+0.3</sup> <sub>-0.1</sub>	11	20	25 ±0.2	0.04
01 021 002	DR-S 11 × 30	8 <sup>+0.25</sup> <sub>0</sub>	20 <sup>+0.3</sup> <sub>-0.1</sub>	11	30	35 ±0.2	0.05
01 021 003	DR-S 11 × 50	8 <sup>+0.25</sup> <sub>0</sub>	20 <sup>+0.3</sup> <sub>-0.1</sub>	11	50	55 ±0.2	0.08
01 021 004	DR-S 15 × 25	11 <sup>+0.25</sup> <sub>0</sub>	27 <sup>+0.4</sup> <sub>0</sub>	15	25	30 ±0.2	0.07
01 021 005	DR-S 15 × 40	11 <sup>+0.25</sup> <sub>0</sub>	27 <sup>+0.4</sup> <sub>0</sub>	15	40	45 ±0.2	0.12
01 021 006	DR-S 15 × 60	11 <sup>+0.25</sup> <sub>0</sub>	27 <sup>+0.4</sup> <sub>0</sub>	15	60	65 ±0.2	0.17
01 021 007	DR-S 18 × 30	12 <sup>+0.25</sup> <sub>0</sub>	32 <sup>+0.3</sup> <sub>-0.1</sub>	18	30	35 ±0.2	0.13
01 021 008	DR-S 18 × 50	12 <sup>+0.25</sup> <sub>0</sub>	32 <sup>+0.3</sup> <sub>-0.1</sub>	18	50	55 ±0.2	0.21
01 021 009	DR-S 18 × 80	12 <sup>+0.25</sup> <sub>0</sub>	32 <sup>+0.3</sup> <sub>-0.1</sub>	18	80	85 ±0.2	0.33
01 021 010	DR-S 27 × 40	22 <sup>+0.25</sup> <sub>0</sub>	45 <sup>+0.4</sup> <sub>0</sub>	27	40	45 ±0.2	0.26
01 021 011	DR-S 27 × 60	22 <sup>+0.25</sup> <sub>0</sub>	45 <sup>+0.4</sup> <sub>0</sub>	27	60	65 ±0.2	0.39
01 021 012	DR-S 27 × 100	22 <sup>+0.25</sup> <sub>0</sub>	45 <sup>+0.4</sup> <sub>0</sub>	27	100	105 ±0.2	0.65
01 021 013	DR-S 38 × 60	30 <sup>+0.25</sup> <sub>0</sub>	60 <sup>+0.3</sup> <sub>-0.2</sub>	38	60	70 ±0.2	0.65
01 021 014	DR-S 38 × 80	30 <sup>+0.25</sup> <sub>0</sub>	60 <sup>+0.3</sup> <sub>-0.2</sub>	38	80	90 ±0.2	0.85
01 021 015	DR-S 38 × 120	30 <sup>+0.25</sup> <sub>0</sub>	60 <sup>+0.3</sup> <sub>-0.2</sub>	38	120	130 ±0.2	1.25
01 021 026	DR-S 45 × 80	35 <sup>+0.4</sup> <sub>0</sub>	75 <sup>+0.3</sup> <sub>-0.2</sub>	45	80	90 ±0.2	1.41
01 021 027	DR-S 45 × 100	35 <sup>+0.4</sup> <sub>0</sub>	75 <sup>+0.3</sup> <sub>-0.2</sub>	45	100	110 ±0.2	1.75
01 021 028	DR-S 45 × 150	35 <sup>+0.4</sup> <sub>0</sub>	75 <sup>+0.3</sup> <sub>-0.2</sub>	45	150	160 ±0.2	2.59
01 021 029	DR-S 50 × 120	40 <sup>+0.4</sup> <sub>0</sub>	80 <sup>+0.3</sup> <sub>-0.2</sub>	50	120	130 ±0.2	2.30
01 021 030	DR-S 50 × 200	40 <sup>+0.4</sup> <sub>0</sub>	80 <sup>+0.3</sup> <sub>-0.2</sub>	50	200	210 ±0.2	3.79
01 021 031	DR-S 50 × 300	40 <sup>+0.4</sup> <sub>0</sub>	80 <sup>+0.3</sup> <sub>-0.2</sub>	50	300	310 ±0.2	5.66

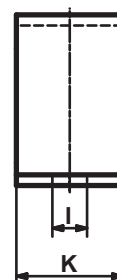
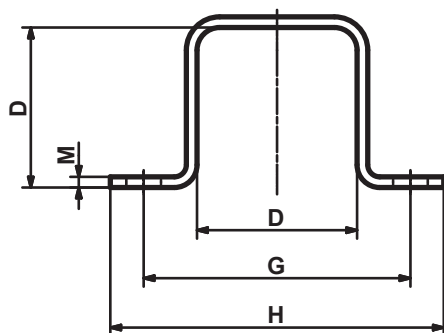
Tabella dei carichi, schiacciamenti e scostamenti a pag. 2.3

Se non vengono specificate altre unità di misura, i numeri indicati sono in mm.



# Elementi modulari

## Staffa BR

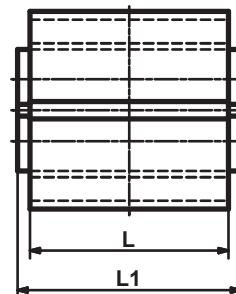
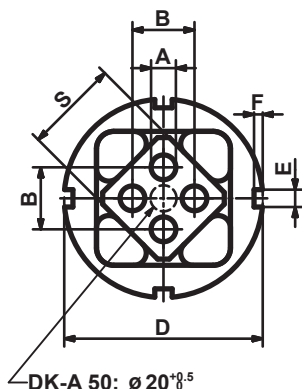


Art. Nr.	Tipo	D	G	H	ø l	K	M	Peso [kg]
01 500 001	<b>BR 11</b>	20	37	50	6	20	2	0.02
01 500 002	<b>BR 15</b>	27	50	65	7	25	2	0.04
01 500 003	<b>BR 18</b>	32	60	80	9	30	2.5	0.08
01 500 004	<b>BR 27</b>	45	80	105	11	35	3	0.14
01 500 005	<b>BR 38</b>	60	100	125	13	40	4	0.27
01 500 026	<b>BR 45</b>	75	120	150	13	45	5	0.47
01 500 027	<b>BR 50</b>	80	135	175	18	50	6	0.70

Se non vengono specificate altre unità di misura, i numeri indicati sono in mm.

# Elementi modulari

## DK-A



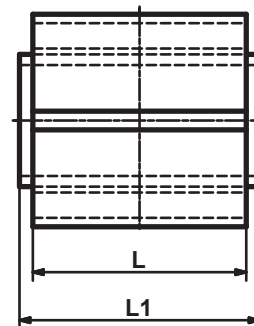
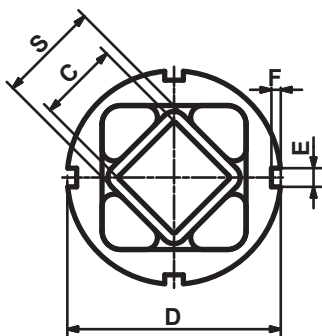
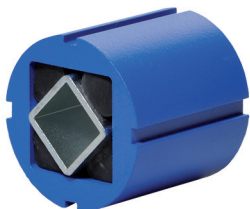
Art. Nr.	Tipo	$\varnothing A$	B	$\varnothing D$	E	F	$\square S$	L	L1	Peso [kg]
01 071 001	DK-A 15 x 25	$5^{+0.5}_0$	$10 \pm 0.2$	$36^{+0.5}_{-0.1}$	5	2.5	15	25	$30^{+0}_-0.3}$	0.05
01 071 002	DK-A 15 x 40	$5^{+0.5}_0$	$10 \pm 0.2$	$36^{+0.5}_{-0.1}$	5	2.5	15	40	$45^{+0}_-0.3}$	0.08
01 071 003	DK-A 15 x 60	$5^{+0.5}_0$	$10 \pm 0.2$	$36^{+0.5}_{-0.1}$	5	2.5	15	60	$65^{+0}_-0.3}$	0.12
01 071 004	DK-A 18 x 30	$6^{+0.5}_0$	$12 \pm 0.3$	$45^{+0.6}_{-0.1}$	5	2.5	18	30	$35^{+0}_-0.3}$	0.10
01 071 005	DK-A 18 x 50	$6^{+0.5}_0$	$12 \pm 0.3$	$45^{+0.6}_{-0.1}$	5	2.5	18	50	$55^{+0}_-0.3}$	0.16
01 071 006	DK-A 18 x 80	$6^{+0.5}_0$	$12 \pm 0.3$	$45^{+0.6}_{-0.1}$	5	2.5	18	80	$85^{+0}_-0.3}$	0.25
01 071 007	DK-A 27 x 40	$8^{+0.5}_0$	$20 \pm 0.4$	$62^{+0.7}_{-0.1}$	6	3	27	40	$45^{+0}_-0.3}$	0.25
01 071 008	DK-A 27 x 60	$8^{+0.5}_0$	$20 \pm 0.4$	$62^{+0.7}_{-0.1}$	6	3	27	60	$65^{+0}_-0.3}$	0.37
01 071 009	DK-A 27 x 100	$8^{+0.5}_0$	$20 \pm 0.4$	$62^{+0.7}_{-0.1}$	6	3	27	100	$105^{+0}_-0.3}$	0.61
01 071 010	DK-A 38 x 60	$10^{+0.5}_0$	$25 \pm 0.4$	$80^{+0.8}_{-0.1}$	7	3.5	38	60	$70^{+0}_-0.3}$	0.62
01 071 011	DK-A 38 x 80	$10^{+0.5}_0$	$25 \pm 0.4$	$80^{+0.8}_{-0.1}$	7	3.5	38	80	$90^{+0}_-0.3}$	0.82
01 071 012	DK-A 38 x 120	$10^{+0.5}_0$	$25 \pm 0.4$	$80^{+0.8}_{-0.1}$	7	3.5	38	120	$130^{+0}_-0.3}$	1.22
01 071 013	DK-A 45 x 80	$12^{+0.5}_0$	$35 \pm 0.5$	$95^{+1.0}_{-0.1}$	8	4	45	80	$90^{+0}_-0.3}$	1.14
01 071 014	DK-A 45 x 100	$12^{+0.5}_0$	$35 \pm 0.5$	$95^{+1.0}_{-0.1}$	8	4	45	100	$110^{+0}_-0.3}$	1.41
01 071 015	DK-A 45 x 150	$12^{+0.5}_0$	$35 \pm 0.5$	$95^{+1.0}_{-0.1}$	8	4	45	150	$160^{+0}_-0.3}$	2.11
01 071 016	DK-A 50 x 120	M12 x 40	$40 \pm 0.5$	$108^{+1.2}_{-0.1}$	8	4	50	120	$130^{+0}_-0.3}$	2.26
01 071 017	DK-A 50 x 200	M12 x 40	$40 \pm 0.5$	$108^{+1.2}_{-0.1}$	8	4	50	200	$210^{+0}_-0.3}$	3.74
01 071 018	DK-A 50 x 300	M12 x 40	$40 \pm 0.5$	$108^{+1.2}_{-0.1}$	8	4	50	300	$310^{+0}_-0.3}$	5.62

Tabella dei carichi, schiacciamenti e scostamenti a pag. 2.3

Se non vengono specificate altre unità di misura, i numeri indicati sono in mm.

# Elementi modulari

## DK-S



2

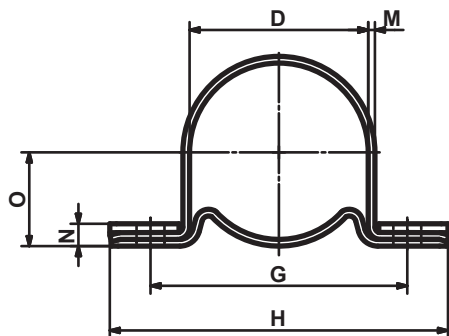
Art. Nr.	Tipo	□C	∅D	E	F	□S	L	L1	Peso [kg]
01 081 001	DK-S 11 × 20	8 <sup>+0.25</sup> <sub>0</sub>	28 <sup>+0.5</sup> <sub>-0.1</sub>	4	2.5	11	20	25 ±0.2	0.03
01 081 002	DK-S 11 × 30	8 <sup>+0.25</sup> <sub>0</sub>	28 <sup>+0.5</sup> <sub>-0.1</sub>	4	2.5	11	30	35 ±0.2	0.04
01 081 003	DK-S 11 × 50	8 <sup>+0.25</sup> <sub>0</sub>	28 <sup>+0.5</sup> <sub>-0.1</sub>	4	2.5	11	50	55 ±0.2	0.07
01 081 004	DK-S 15 × 25	11 <sup>+0.25</sup> <sub>0</sub>	36 <sup>+0.5</sup> <sub>-0.1</sub>	5	2.5	15	25	30 ±0.2	0.06
01 081 005	DK-S 15 × 40	11 <sup>+0.25</sup> <sub>0</sub>	36 <sup>+0.5</sup> <sub>-0.1</sub>	5	2.5	15	40	45 ±0.2	0.10
01 081 006	DK-S 15 × 60	11 <sup>+0.25</sup> <sub>0</sub>	36 <sup>+0.5</sup> <sub>-0.1</sub>	5	2.5	15	60	65 ±0.2	0.14
01 081 007	DK-S 18 × 30	12 <sup>+0.25</sup> <sub>0</sub>	45 <sup>+0.6</sup> <sub>-0.1</sub>	5	2.5	18	30	35 ±0.2	0.13
01 081 008	DK-S 18 × 50	12 <sup>+0.25</sup> <sub>0</sub>	45 <sup>+0.6</sup> <sub>-0.1</sub>	5	2.5	18	50	55 ±0.2	0.21
01 081 009	DK-S 18 × 80	12 <sup>+0.25</sup> <sub>0</sub>	45 <sup>+0.6</sup> <sub>-0.1</sub>	5	2.5	18	80	85 ±0.2	0.32
01 081 010	DK-S 27 × 40	22 <sup>+0.25</sup> <sub>0</sub>	62 <sup>+0.7</sup> <sub>-0.1</sub>	6	3	27	40	45 ±0.2	0.27
01 081 011	DK-S 27 × 60	22 <sup>+0.25</sup> <sub>0</sub>	62 <sup>+0.7</sup> <sub>-0.1</sub>	6	3	27	60	65 ±0.2	0.40
01 081 012	DK-S 27 × 100	22 <sup>+0.25</sup> <sub>0</sub>	62 <sup>+0.7</sup> <sub>-0.1</sub>	6	3	27	100	105 ±0.2	0.66
01 081 013	DK-S 38 × 60	30 <sup>+0.25</sup> <sub>0</sub>	80 <sup>+0.8</sup> <sub>-0.1</sub>	7	3.5	38	60	70 ±0.2	0.70
01 081 014	DK-S 38 × 80	30 <sup>+0.25</sup> <sub>0</sub>	80 <sup>+0.8</sup> <sub>-0.1</sub>	7	3.5	38	80	90 ±0.2	0.92
01 081 015	DK-S 38 × 120	30 <sup>+0.25</sup> <sub>0</sub>	80 <sup>+0.8</sup> <sub>-0.1</sub>	7	3.5	38	120	130 ±0.2	1.36
01 081 016	DK-S 45 × 80	35 <sup>+0.4</sup> <sub>0</sub>	95 <sup>+1.0</sup> <sub>-0.1</sub>	8	4	45	80	90 ±0.2	1.30
01 081 017	DK-S 45 × 100	35 <sup>+0.4</sup> <sub>0</sub>	95 <sup>+1.0</sup> <sub>-0.1</sub>	8	4	45	100	110 ±0.2	1.65
01 081 018	DK-S 45 × 150	35 <sup>+0.4</sup> <sub>0</sub>	95 <sup>+1.0</sup> <sub>-0.1</sub>	8	4	45	150	160 ±0.2	2.38
01 081 019	DK-S 50 × 120	40 <sup>+0.4</sup> <sub>0</sub>	108 <sup>+1.2</sup> <sub>-0.1</sub>	8	4	50	120	130 ±0.2	2.50
01 081 020	DK-S 50 × 200	40 <sup>+0.4</sup> <sub>0</sub>	108 <sup>+1.2</sup> <sub>-0.1</sub>	8	4	50	200	210 ±0.2	4.14
01 081 021	DK-S 50 × 300	40 <sup>+0.4</sup> <sub>0</sub>	108 <sup>+1.2</sup> <sub>-0.1</sub>	8	4	50	300	310 ±0.2	5.59

Tabella dei carichi, schiacciamenti e scostamenti a pag. 2.3  
 Se non vengono specificate altre unità di misura, i numeri indicati sono in mm.



# Elementi modulari

## Staffa BK

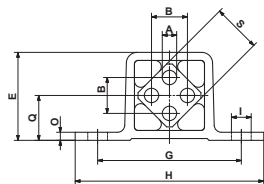


Art. Nr.	Tipo	D	G	H	$\varnothing I$	K	M	N	O	Peso [kg]
01 520 001	<b>BK 11</b>	28	45	60	6.5	20	1.5	6	15.5	0.05
01 520 002	<b>BK 15</b>	36	55	75	6.5	25	2	7	20.0	0.09
01 520 003	<b>BK 18</b>	45	68	90	8.5	30	2	8	24.5	0.14
01 520 004	<b>BK 27</b>	62	92	125	10.5	35	2.5	10	33.5	0.28
01 520 005	<b>BK 38</b>	80	115	150	12.5	40	3	11	43.0	0.47
01 520 006	<b>BK 45</b>	95	130	165	12.5	45	4	14	51.5	0.77
01 520 007	<b>BK 50</b>	108	152	195	16.5	50	4	15	58.0	1.04

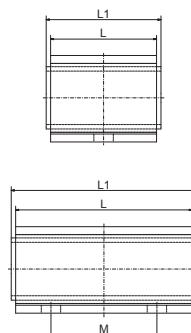
Se non vengono specificate altre unità di misura, i numeri indicati sono in mm.  
L'utilizzo delle staffe BK consente il posizionamento dell'elemento nell'arco dei 360°.

# Elementi modulari

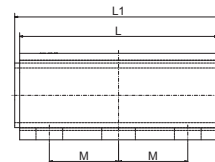
## DW-A dalla taglia 15 alla 50



Taglie dalla 15 alla 50 × 160



Taglia 50 × 200



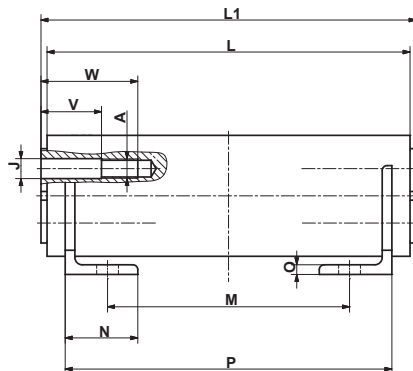
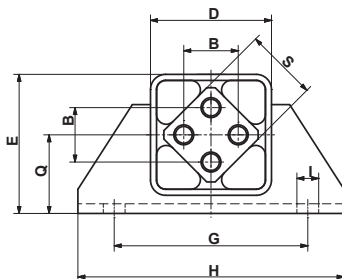
Art. Nr.	Tipo	$\phi A$	B	E	G	H	$\phi I$	O	Q	$\square S$	L	L1	M	Peso [kg]
01 101 016	DW-A 15 × 25	$5^{+0.5}_0$	$10 \pm 0.2$	29	50	65	7	3	15	15	25	$30^{0}_{-0.3}$	–	0.04
01 101 017	DW-A 15 × 40	$5^{+0.5}_0$	$10 \pm 0.2$	29	50	65	7	3	15	15	40	$45^{0}_{-0.3}$	–	0.07
01 101 018	DW-A 15 × 60	$5^{+0.5}_0$	$10 \pm 0.2$	29	50	65	7	3	15	15	60	$65^{0}_{-0.3}$	40	0.10
01 101 019	DW-A 18 × 30	$6^{+0.5}_0$	$12 \pm 0.3$	35	60	80	9	3.5	18	18	30	$35^{0}_{-0.3}$	–	0.08
01 101 020	DW-A 18 × 50	$6^{+0.5}_0$	$12 \pm 0.3$	35	60	80	9	3.5	18	18	50	$55^{0}_{-0.3}$	–	0.13
01 101 021	DW-A 18 × 80	$6^{+0.5}_0$	$12 \pm 0.3$	35	60	80	9	3.5	18	18	80	$85^{0}_{-0.3}$	50	0.20
01 101 022	DW-A 27 × 40	$8^{+0.5}_0$	$20 \pm 0.4$	49	80	105	11	4.5	25	27	40	$45^{0}_{-0.3}$	–	0.21
01 101 023	DW-A 27 × 60	$8^{+0.5}_0$	$20 \pm 0.4$	49	80	105	11	4.5	25	27	60	$65^{0}_{-0.3}$	–	0.31
01 101 024	DW-A 27 × 100	$8^{+0.5}_0$	$20 \pm 0.4$	49	80	105	11	4.5	25	27	100	$105^{0}_{-0.3}$	60	0.51
01 101 025	DW-A 38 × 60	$10^{+0.5}_0$	$25 \pm 0.4$	67	100	125	13	6	34	38	60	$70^{0}_{-0.3}$	–	0.57
01 101 026	DW-A 38 × 80	$10^{+0.5}_0$	$25 \pm 0.4$	67	100	125	13	6	34	38	80	$90^{0}_{-0.3}$	40	0.75
01 101 027	DW-A 38 × 120	$10^{+0.5}_0$	$25 \pm 0.4$	67	100	125	13	6	34	38	120	$130^{0}_{-0.3}$	80	1.12
01 101 043	DW-A 45 × 80	$12^{+0.5}_0$	$35 \pm 0.5$	81	115	145	$13 \times 27$	9	41	45	80	$90^{0}_{-0.3}$	–	1.08
01 101 044	DW-A 45 × 100	$12^{+0.5}_0$	$35 \pm 0.5$	81	115	145	$13 \times 27$	9	41	45	100	$110^{0}_{-0.3}$	58	1.35
01 101 045	DW-A 45 × 150	$12^{+0.5}_0$	$35 \pm 0.5$	81	115	145	$13 \times 27$	9	41	45	150	$160^{0}_{-0.3}$	90	2.00
01 101 046	DW-A 50 × 120	M12 × 40	$40 \pm 0.5$	88	130	170	$17 \times 27$	12	45	50	120	$130^{0}_{-0.3}$	60	1.91
01 101 047	DW-A 50 × 160	M12 × 40	$40 \pm 0.5$	88	130	170	$17 \times 27$	12	45	50	160	$170^{0}_{-0.3}$	70	2.57
01 101 048	DW-A 50 × 200	M12 × 40	$40 \pm 0.5$	88	130	170	$17 \times 27$	12	45	50	200	$210^{0}_{-0.3}$	70	3.18

Tabella dei carichi, schiacciamenti e scostamenti a pag. 2.3

Se non vengono specificate altre unità di misura, i numeri indicati sono in mm.

# Elementi modulari

## DW-A dalla taglia 60 alla 100



Art. Nr.	Tipo	A	B	D	E	G	H	øI	øJ	N	O	Q	□S	V	W	L	L1	M	P	Peso [kg]
01 101 031	DW-A 60 × 150	M16	45	100	115	160	220	18	16.5	60	8	65	60	40	70	150	160 ±0.2	60	130	8.74
01 101 032	DW-A 60 × 200	M16	45	100	115	160	220	18	16.5	60	8	65	60	50	80	200	210 ±0.2	100	170	11.10
01 101 033	DW-A 60 × 300	M16	45	100	115	160	220	18	16.5	60	8	65	60	50	80	300	310 ±0.2	200	270	15.90
01 101 034	DW-A 70 × 200	M20	50	120	140	200	260	22	20.5	65	9	80	70	50	90	200	210 ±0.2	100	170	15.87
01 101 035	DW-A 70 × 300	M20	50	120	140	200	260	22	20.5	65	9	80	70	50	90	300	310 ±0.2	200	270	21.70
01 101 036	DW-A 70 × 400	M20	50	120	140	200	260	22	20.5	65	9	80	70	50	90	400	410 ±0.2	300	370	28.20
01 101 037	DW-A 80 × 200	M20	60	136	153	220	280	22	20.5	80	10	85	80	50	90	200	210 ±0.2	80	170	21.70
01 101 038	DW-A 80 × 300	M20	60	136	153	220	280	22	20.5	80	10	85	80	50	90	300	310 ±0.2	180	270	29.40
01 101 039	DW-A 80 × 400	M20	60	136	153	220	280	22	20.5	80	10	85	80	50	90	400	410 ±0.2	280	370	39.40
01 101 040	DW-A 100 × 250	M24	75	170	195	300	380	26	25	100	12	110	100	50	100	250	260 ±0.2	110	220	41.00
01 101 041	DW-A 100 × 400	M24	75	170	195	300	380	26	25	100	12	110	100	50	100	400	410 ±0.2	260	370	64.70
01 101 042	DW-A 100 × 500	M24	75	170	195	300	380	26	25	100	12	110	100	50	100	500	510 ±0.2	360	470	78.70

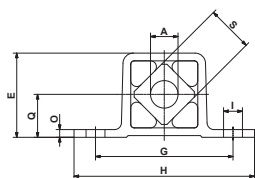
Tabella dei carichi, schiacciamenti e scostamenti a pag. 2.3

Se non vengono specificate altre unità di misura, i numeri indicati sono in mm.

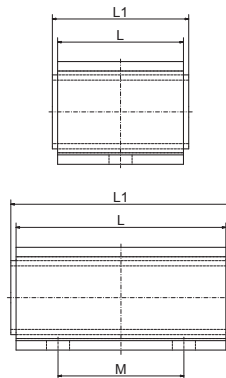


# Elementi modulari

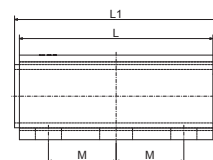
## DW-C



taglie dalla 15 alla 50 × 160



taglia 50 × 200



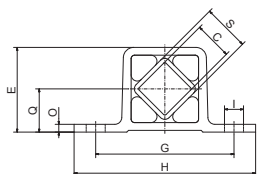
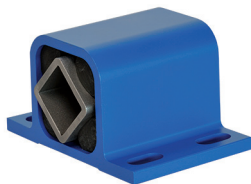
Art. Nr.	Tipo	$\varnothing A$	E	G	H	$\varnothing I$	O	Q	$\square S$	L	L1	M	Peso [kg]
01 121 101	DW-C 15 × 25	10 <sup>+0.4</sup> <sub>-0.2</sub>	29	50	65	7	3	15	15	25	30 <sup>0</sup> <sub>-0.3</sub>	—	0.05
01 121 102	DW-C 15 × 40	10 <sup>+0.4</sup> <sub>-0.2</sub>	29	50	65	7	3	15	15	40	45 <sup>0</sup> <sub>-0.3</sub>	—	0.07
01 121 103	DW-C 15 × 60	10 <sup>+0.4</sup> <sub>-0.2</sub>	29	50	65	7	3	15	15	60	65 <sup>0</sup> <sub>-0.3</sub>	40	0.11
01 121 104	DW-C 18 × 30	13 <sup>0</sup> <sub>-0.2</sub>	35	60	80	9	3.5	18	18	30	35 <sup>0</sup> <sub>-0.3</sub>	—	0.08
01 121 105	DW-C 18 × 50	13 <sup>0</sup> <sub>-0.2</sub>	35	60	80	9	3.5	18	18	50	55 <sup>0</sup> <sub>-0.3</sub>	—	0.13
01 121 106	DW-C 18 × 80	13 <sup>0</sup> <sub>-0.2</sub>	35	60	80	9	3.5	18	18	80	85 <sup>0</sup> <sub>-0.3</sub>	50	0.20
01 121 107	DW-C 27 × 40	16 <sup>+0.5</sup> <sub>-0.3</sub>	49	80	105	11	4.5	25	27	40	45 <sup>0</sup> <sub>-0.3</sub>	—	0.21
01 121 108	DW-C 27 × 60	16 <sup>+0.5</sup> <sub>-0.3</sub>	49	80	105	11	4.5	25	27	60	65 <sup>0</sup> <sub>-0.3</sub>	—	0.31
01 121 109	DW-C 27 × 100	16 <sup>+0.5</sup> <sub>-0.3</sub>	49	80	105	11	4.5	25	27	100	105 <sup>0</sup> <sub>-0.3</sub>	60	0.50
01 121 110	DW-C 38 × 60	20 <sup>+0.5</sup> <sub>-0.2</sub>	67	100	125	13	6	34	38	60	70 <sup>0</sup> <sub>-0.3</sub>	—	0.58
01 121 111	DW-C 38 × 80	20 <sup>+0.5</sup> <sub>-0.2</sub>	67	100	125	13	6	34	38	80	90 <sup>0</sup> <sub>-0.3</sub>	40	0.76
01 121 112	DW-C 38 × 120	20 <sup>+0.5</sup> <sub>-0.2</sub>	67	100	125	13	6	34	38	120	130 <sup>0</sup> <sub>-0.3</sub>	80	1.13
01 121 113	DW-C 45 × 80	24 <sup>+0.5</sup> <sub>-0.2</sub>	81	115	145	13 × 27	9	41	45	80	90 <sup>0</sup> <sub>-0.3</sub>	—	1.10
01 121 114	DW-C 45 × 100	24 <sup>+0.5</sup> <sub>-0.2</sub>	81	115	145	13 × 27	9	41	45	100	110 <sup>0</sup> <sub>-0.3</sub>	58	1.35
01 121 115	DW-C 45 × 150	24 <sup>+0.5</sup> <sub>-0.2</sub>	81	115	145	13 × 27	9	41	45	150	160 <sup>0</sup> <sub>-0.3</sub>	90	2.00
01 121 116	DW-C 50 × 120	30 <sup>+0.5</sup> <sub>-0.2</sub>	88	130	170	17 × 27	12	45	50	120	130 <sup>0</sup> <sub>-0.3</sub>	60	1.90
01 121 117	DW-C 50 × 160	30 <sup>+0.5</sup> <sub>-0.2</sub>	88	130	170	17 × 27	12	45	50	160	170 <sup>0</sup> <sub>-0.3</sub>	70	2.50
01 121 118	DW-C 50 × 200	30 <sup>+0.5</sup> <sub>-0.2</sub>	88	130	170	17 × 27	12	45	50	200	210 <sup>0</sup> <sub>-0.3</sub>	70	3.10

Tabella dei carichi, schiacciamenti e scostamenti a pag. 2.3

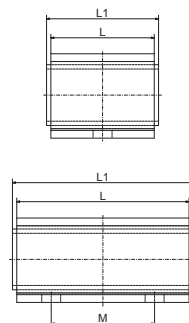
Se non vengono specificate altre unità di misura, i numeri indicati sono in mm.

# Elementi modulari

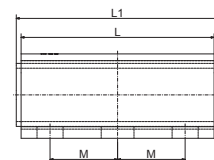
## DW-S



taglie dalla 15 alla 50 x 160



taglia 50 x 200



Art. Nr.	Tipo	□C	E	G	H	∅I	O	Q	□S	L	L1	M	Peso [kg]
01 111 201	DW-S 15 x 25	11 <sup>+0.25</sup> <sub>0</sub>	29	50	65	7	3	15	15	25	30 ±0.2	–	0.06
01 111 202	DW-S 15 x 40	11 <sup>+0.25</sup> <sub>0</sub>	29	50	65	7	3	15	15	40	45 ±0.2	–	0.09
01 111 203	DW-S 15 x 60	11 <sup>+0.25</sup> <sub>0</sub>	29	50	65	7	3	15	15	60	65 ±0.2	40	0.13
01 111 204	DW-S 18 x 30	12 <sup>+0.25</sup> <sub>0</sub>	35	60	80	9	3.5	18	18	30	35 ±0.2	–	0.13
01 111 205	DW-S 18 x 50	12 <sup>+0.25</sup> <sub>0</sub>	35	60	80	9	3.5	18	18	50	55 ±0.2	–	0.11
01 111 206	DW-S 18 x 80	12 <sup>+0.25</sup> <sub>0</sub>	35	60	80	9	3.5	18	18	80	85 ±0.2	50	0.27
01 111 207	DW-S 27 x 40	22 <sup>+0.25</sup> <sub>0</sub>	49	80	105	11	4.5	25	27	40	45 ±0.2	–	0.22
01 111 208	DW-S 27 x 60	22 <sup>+0.25</sup> <sub>0</sub>	49	80	105	11	4.5	25	27	60	65 ±0.2	–	0.33
01 111 209	DW-S 27 x 100	22 <sup>+0.25</sup> <sub>0</sub>	49	80	105	11	4.5	25	27	100	105 ±0.2	60	0.56
01 111 210	DW-S 38 x 60	30 <sup>+0.25</sup> <sub>0</sub>	67	100	125	13	6	34	38	60	70 ±0.2	–	0.65
01 111 211	DW-S 38 x 80	30 <sup>+0.25</sup> <sub>0</sub>	67	100	125	13	6	34	38	80	90 ±0.2	40	0.85
01 111 212	DW-S 38 x 120	30 <sup>+0.25</sup> <sub>0</sub>	67	100	125	13	6	34	38	120	130 ±0.2	80	1.27
01 111 213	DW-S 45 x 80	35 <sup>+0.4</sup> <sub>0</sub>	81	115	145	13 x 27	9	41	45	80	90 ±0.2	–	1.26
01 111 214	DW-S 45 x 100	35 <sup>+0.4</sup> <sub>0</sub>	81	115	145	13 x 27	9	41	45	100	110 ±0.2	58	1.60
01 111 215	DW-S 45 x 150	35 <sup>+0.4</sup> <sub>0</sub>	81	115	145	13 x 27	9	41	45	150	160 ±0.2	90	2.30
01 111 216	DW-S 50 x 120	40 <sup>+0.4</sup> <sub>0</sub>	88	130	170	17 x 27	12	45	50	120	130 ±0.2	60	2.16
01 111 217	DW-S 50 x 160	40 <sup>+0.4</sup> <sub>0</sub>	88	130	170	17 x 27	12	45	50	160	170 ±0.2	70	2.87
01 111 218	DW-S 50 x 200	40 <sup>+0.4</sup> <sub>0</sub>	88	130	170	17 x 27	12	45	50	200	210 ±0.2	70	3.55

Tabella dei carichi, schiacciamenti e scostamenti a pag. 2.3

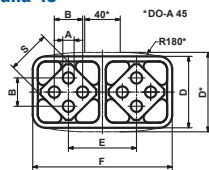
Se non vengono specificate altre unità di misura, i numeri indicati sono in mm.

# Elementi modulari

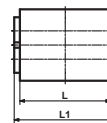
## DO-A



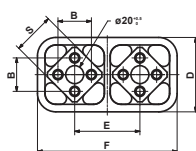
taglie dalla 15 alla 45



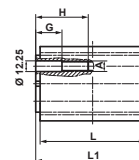
taglie dalla 15 a la 45



taglia 50



taglia 50



Art. Nr.	Tipo	$\varnothing A$	B	D	E	F	$\square S$	G	H	L	L1	Peso [kg]
01 041 001	DO-A 15 x 25	$5^{+0.5}_0$	$10_{\pm 0.2}$	28	25.5	53.5	15	—	—	25	$30^{0}_{-0.3}$	0.07
01 041 002	DO-A 15 x 40	$5^{+0.5}_0$	$10_{\pm 0.2}$	28	25.5	53.5	15	—	—	40	$45^{0}_{-0.3}$	0.11
01 041 003	DO-A 15 x 60	$5^{+0.5}_0$	$10_{\pm 0.2}$	28	25.5	53.5	15	—	—	60	$65^{0}_{-0.3}$	0.15
01 041 004	DO-A 18 x 30	$6^{+0.5}_0$	$12_{\pm 0.3}$	34	31	65	18	—	—	30	$35^{0}_{-0.3}$	0.12
01 041 005	DO-A 18 x 50	$6^{+0.5}_0$	$12_{\pm 0.3}$	34	31	65	18	—	—	50	$55^{0}_{-0.3}$	0.20
01 041 006	DO-A 18 x 80	$6^{+0.5}_0$	$12_{\pm 0.3}$	34	31	65	18	—	—	80	$85^{0}_{-0.3}$	0.31
01 041 007	DO-A 27 x 40	$8^{+0.5}_0$	$20_{\pm 0.4}$	47	44	91	27	—	—	40	$45^{0}_{-0.3}$	0.32
01 041 008	DO-A 27 x 60	$8^{+0.5}_0$	$20_{\pm 0.4}$	47	44	91	27	—	—	60	$65^{0}_{-0.3}$	0.47
01 041 009	DO-A 27 x 100	$8^{+0.5}_0$	$20_{\pm 0.4}$	47	44	91	27	—	—	100	$105^{0}_{-0.3}$	0.76
01 041 010	DO-A 38 x 60	$10^{+0.5}_0$	$25_{\pm 0.4}$	63	60	123	38	—	—	60	$70^{0}_{-0.3}$	0.88
01 041 011	DO-A 38 x 80	$10^{+0.5}_0$	$25_{\pm 0.4}$	63	60	123	38	—	—	80	$90^{0}_{-0.3}$	1.14
01 041 012	DO-A 38 x 120	$10^{+0.5}_0$	$25_{\pm 0.4}$	63	60	123	38	—	—	120	$130^{0}_{-0.3}$	1.69
01 041 013	DO-A 45 x 80	$12^{+0.5}_0$	$35_{\pm 0.5}$	85	73	150	45	—	—	80	$90^{0}_{-0.3}$	1.84
01 041 014	DO-A 45 x 100	$12^{+0.5}_0$	$35_{\pm 0.5}$	85	73	150	45	—	—	100	$110^{0}_{-0.3}$	2.27
01 041 015	DO-A 45 x 150	$12^{+0.5}_0$	$35_{\pm 0.5}$	85	73	150	45	—	—	150	$160^{0}_{-0.3}$	3.37
01 041 026	DO-A 50 x 120	M12	$40_{\pm 0.5}$	89	78	167	50	30	60	120	$130^{0}_{-0.3}$	3.30
01 041 029	DO-A 50 x 160	M12	$40_{\pm 0.5}$	89	78	167	50	30	60	160	$170^{0}_{-0.3}$	4.40
01 041 027	DO-A 50 x 200	M12	$40_{\pm 0.5}$	89	78	167	50	40	70	200	$210^{0}_{-0.3}$	5.50

Tabella dei carichi, schiacciamenti e scostamenti a pag. 2.3

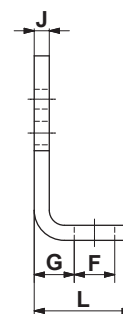
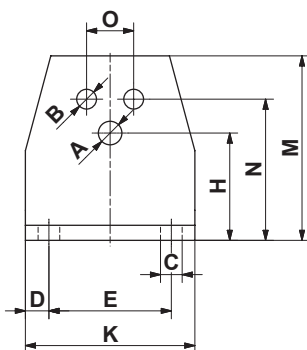
Se non vengono specificate altre unità di misura, i numeri indicati sono in mm.

Materiali: DO-A 50 disponibile su richiesta in fusione di acciaio.



# Element modulari

## Staffa WS



Art. Nr.	Tipo	Adatti per tenditore			Adatto per DR-A, DK-A, DW-A													Peso [kg]
		Dimensione nominale SE	$\phi$ A	H	Dimensione nominale dell'elemento	$\phi$ B	N	O	C	D	E	F	G	J	K	L	M	
06 590 001	<b>WS 11-15</b>	11	6.5	27	15	5.5	35	10	7	7.5	30	13	11.5	4	45	30	46	0.08
06 590 002	<b>WS 15-18</b>	15	8.5	34	18	6.5	44	12	7	7.5	40	13	13.5	5	55	32	58	0.15
06 590 003	<b>WS 18-27</b>	18	10.5	43	27	8.5	55	20	9.5	10	50	15.5	16.5	6	70	38	74	0.3
06 590 004	<b>WS 27-38</b>	27	12.5	57	38	10.5	75	25	11.5	12.5	65	21.5	21	8	90	52	98	0.66
06 590 005	<b>WS 38-45</b>	38	16.5	66	45	12.5	85	35	14	15	80	24	21	8	110	55	116	0.94
06 590 006	<b>WS 45-50</b>	45	20.5	80	50	12.5	110	40	18	20	100	30	26	10	140	66	140	1.74

Se non vengono specificate altre unità di misura, i numeri indicati sono in mm.

# ELEMENTI MODULARI



# Elementi modulari

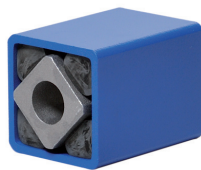
## Descrizione delle parti interne



**A**

Ideale per oscillazioni alternate, passanti per il punto neutro dell'elemento.

Taglie dalla 15 alla 45: fissaggio con 2 o 4 viti (le taglie 27-45 sono anche disponibili con fori filettati).



**C**

Connessione per attrito al quadro interno, mediante bullone passante. Questa esecuzione agevola il posizionamento della leva nell'arco dei 360°. Per ottimizzare l'attrito rimuovere eventuali residui di vernice. Oscillazioni non superiori a  $\pm 10^\circ$



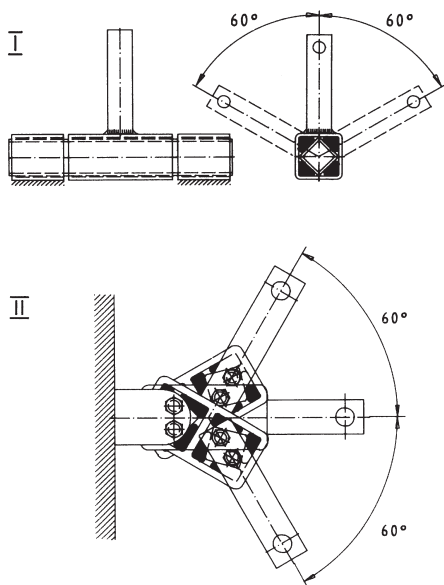
**S**

Collegamento forzato con profilo quadro (che deve avere una tolleranza compresa fra h9 e h11, spigoli opportunamente smussati e raggio angolare 1,5mm). Il collegamento deve avere profondità almeno doppia rispetto alla quota C. Sconsigliato per moti alternati poiché si creerebbe gioco fra i due quadri.

## Connessione in serie e in parallelo

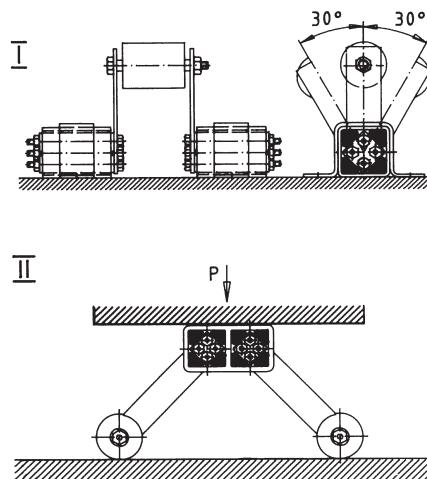
### Connessione in serie

Angolo di oscillazione doppio ( $\pm 60^\circ$ ) ma coppia invariata rispetto all'elemento singolo.



### Collegamento in parallelo

Coppia raddoppiata; angolo di oscillazione invariato ( $\pm 30^\circ$ )

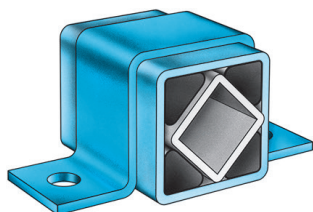




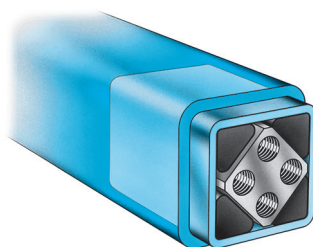
# Elementi modulari

## Fissaggio

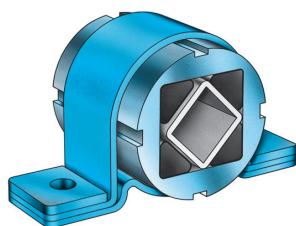
### Alloggiamento (corpo)



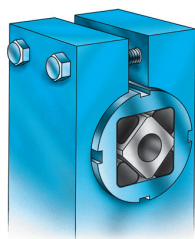
Quadro esterno con staffa BR



Accoppiamento forzato

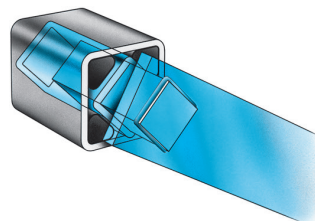


Corpo tondo con staffa tipo BK

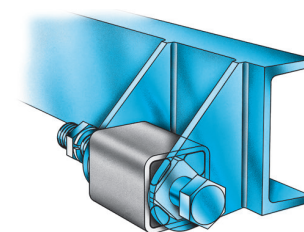


Corpo fissato a morsetto

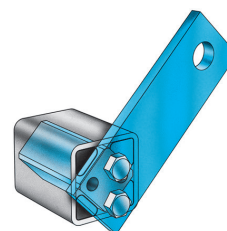
### Quadro interno



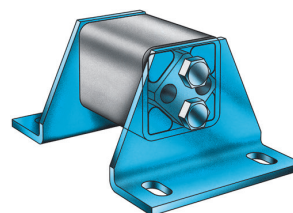
Accoppiamento forzato mediante profilo quadro saldato alla leva



Quadro interno con foro centrale passante



Fissaggio mediante bulloni

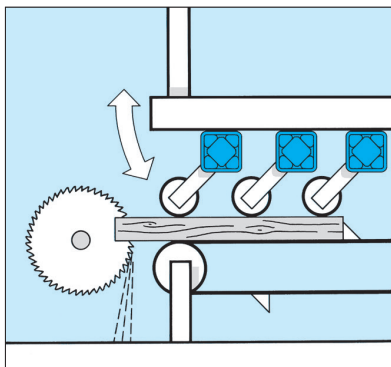


Quadro interno fissato mediante staffe WS e bulloni

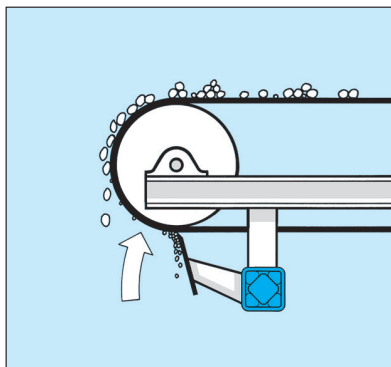


# Elementi modulari

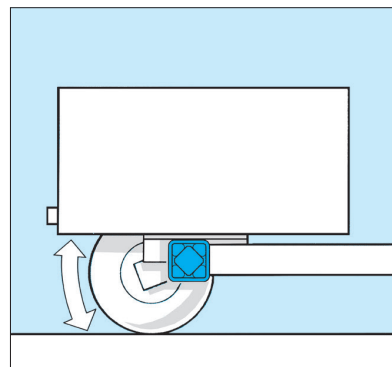
## Esempi di applicativi



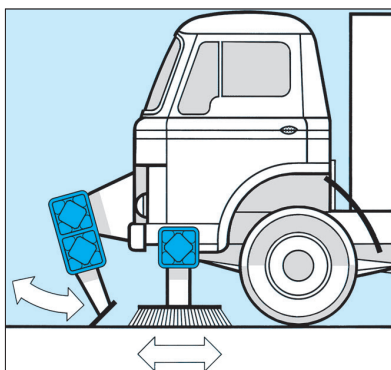
Supporti per rulli pressori



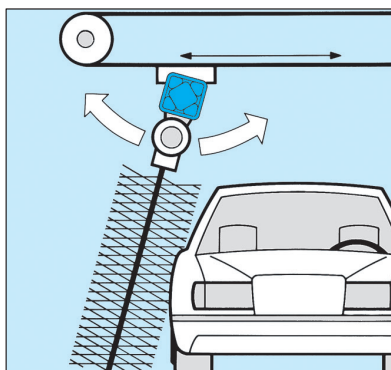
Raschianastro



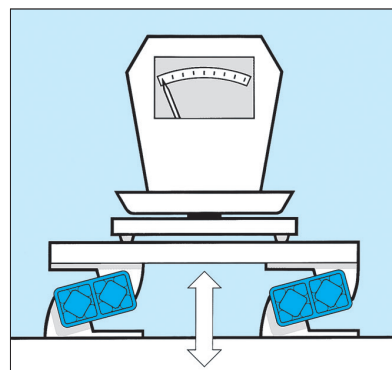
Sospensione indipendente per veicoli



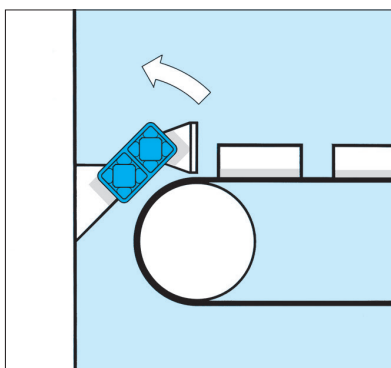
Sospensione elastica di una spazzola o di un raschiatore



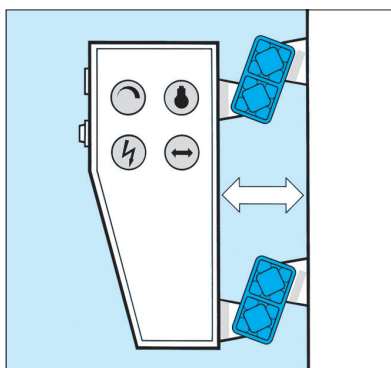
Sospensione oscillante per spazzola di autolavaggio



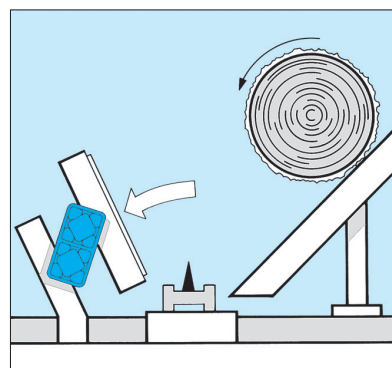
Isolamento passivo per strumenti di precisione



Paracolpi elastico



Isolamento passivo di un quadro elettrico



Paracolpi in impianto di alimentazione